



COMPLETE  
ELEVATOR  
SOLUTION

# STAR SHINE

E L E V A T O R S

New Installation, Manufacturing, Modernisations, Maintenance, Spare Parts.

---

# PASSENGER ELEVATOR MANUAL DOOR



The passenger elevator detailed here are designed to handle promptly and efficiently the transportation requirements of any types of building - which means any Traffic condition.

- They are renowned for fine quality and robust performance.
- Delivers maximum lifting power with minimum efforts.
- A superior combination of flexibility and performance.
- It gives benefits of jerk free travelling, economically low power consumption and excellent design.
- Latest technology is used in the elevator for the machines, controllers, sensors etc., so as to give cent percent safety, reliability, superior comfort and better travel experience with easy to use and maintain for passenger.
- We also provide front and rear openings as an optional feature.

Capacity – 4 to 20 Passenger.



Manual Collapsible Door



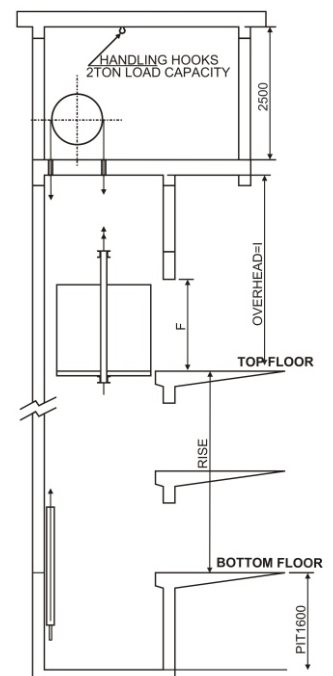
Manual Swing Door



Imperforated Door



Two Part Telescopic Door





## PASSENGER ELEVATOR AUTOMATIC DOOR

Our Passenger elevator has flexible and decor of diverse car designs which can integrate with the multiple buildings. It can especially satisfy the continuously increasing requirements from medium and high rise constructions. It is a most ideal choice for the hotel, restaurants, office buildings, commercial and residential building, recreation centre, shopping centre etc. High quality warranty of Star Shine Elevators: An excellent elevator system brings about a vigorous construction, which makes you enjoy distinctive luxury and aristocracy here from.

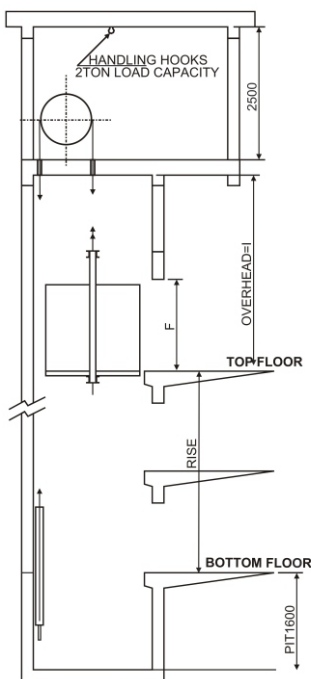
The design which brings convenience to passengers our passenger elevator adopt all the measures which aim at providing the passengers with the more secure and the more comfortable ride.

- Eye-catching display and door opens buttons
- Highly sensitive and robust buttons
- Voice Announcement (optional)
- Handrails (optional)

### Handrail



Capacity – 6 to 20 Passenger.



Center Opening Auto Door



4 Part Center Opening Auto Door



Telescopic Auto Door

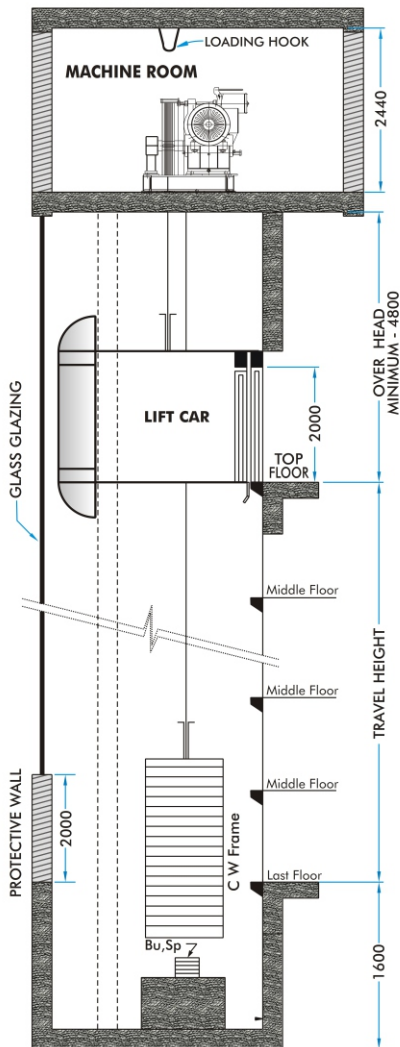


Glass Door





## CAPSULE ELEVATOR PANORAMIC LIFT



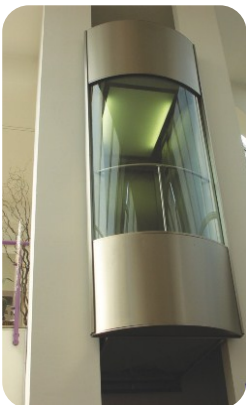
Capsule elevator act as architectural highlights on prestigious buildings. We provide all types of capsule lifts having ultra-modern design to provide a cosmic zone experience to the passengers. Its design, feature and infinite option add its optimum travel comfort. The design of capsule elevator provide silent operation and it's also reliable and economical with minimum maintenance. Installation on the exterior face of the building or in the lobby will totally change the look of a building.

The VVVF close loop microprocessor controller incorporated with the system makes the whole operation very sophisticated.

### Features:

- Made from S. S. / M. S. with vision panel.
- Colour-Powder coted, Elegant looks, Light in weight and variable speed.
- Controller Full proof to voltage (PLC or Sold State) with fully collective – selective system.
- AC VVVF drive for jerk free operation & for variable speed.
- Overload Indication and Auto door announcing system.
- Avail Inverter facility for single base at time of power failure.
- Puss Button Luminous type highly attractive as well as durable.
- Facility Floor Position Indication at the floors as well as cabin.

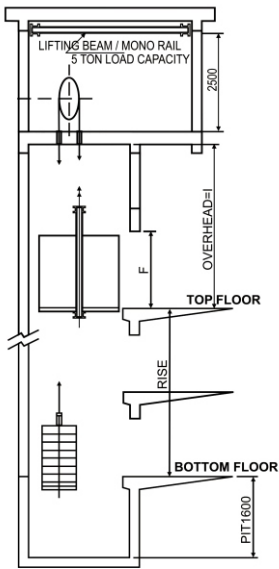
Capacity – 6 to 20 Passenger.





## HOSPITAL ELEVATOR STRETCHER LIFT

Our Stretcher elevator is not only used to transport passengers but it has a special and strict requirements to function and perform because of its special use. Our stretcher elevator can accurately control its running speed with smooth, comfortable & jerk free stopping operation. Our stretcher elevator stresses on humane design. It fully optimizes the car structure to satisfy the customers using fulfil maximum demands. It provides the passengers with a quiet and elegant space.



Capacity – 15 to 26 Passenger.

## GOODS ELEVATOR FREIGHT LIFT

We offer a complete range of goods or freight elevator for different application involving goods transportation in industry. These types of elevators are used to carry goods only and they are typically larger and capable of carrying heavier loads. We also provide front and rear openings as an optional feature.

Our freight elevator, fully utilizing the advanced and full-computerized control technology. In addition, our freight elevator can offer the micro-processor with high-speed operating abilities and expansion interface to ensure to satisfy the special requirements from users.



- Large Door Width
- Dust Proof Equipment



- Accurate Levelling
- Stable & Reliable



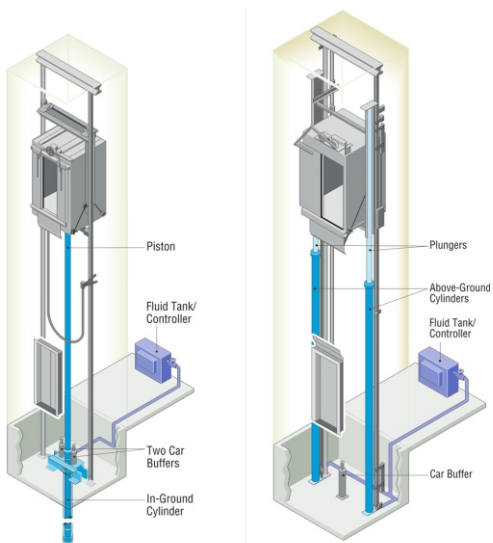
- Sturdy & Durable
- Silent Operation

Capacity – 500 to 5000 Kg.





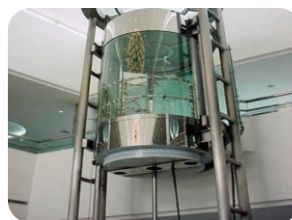
## HYDRAULIC ELEVATOR



The concept of an elevator is incredibly simple, it's just a compartment attached to a lifting system. The Modern passenger and freight elevator are a lot more elaborate than this. They're very convenient and cost-effective solution for low-rise buildings with low traffic. Hydraulic lifts provide the advantages of being relatively inexpensive, safe and easy to maintain. They're very convenient solution for low-rise buildings with low traffic up to 15m.

They boast superb user friendliness and easy access machine room located at the basement. Once they are put in place, hydraulic elevators provide the smoothest rides possible.

- Wide load carrying capacity
- Simple, Robust design
- Minimum overall height
- Controlled peak deceleration
- Comfort and low noise

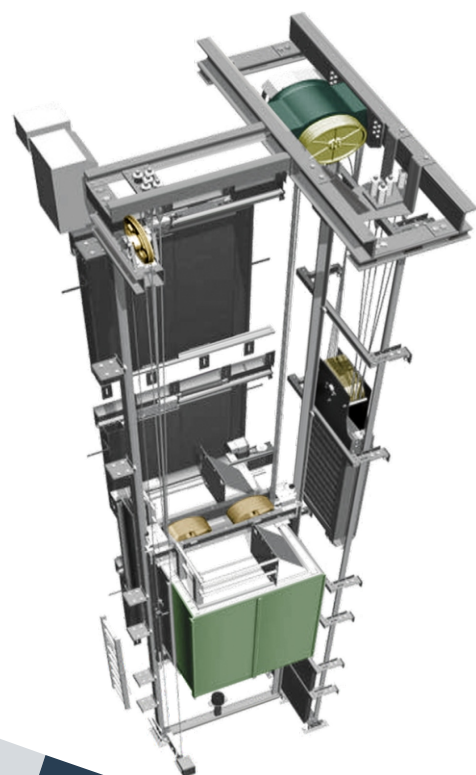


EV - 100

Power Unit

Capacity – 3 to 20 Passenger.

## MRL ELEVATOR



Machine Room-Less (MRL) lifts as the name suggest they don't require to build a separate elevator machine room. Machine room less passenger elevator takes less space, which enables you to effectively utilize the construction space. With the equal load rated geared lift, it saves over 25% of the electric energy.

Star shine gives MRL Lift option for passenger lifts, stretcher lifts, and also home lifts. With an environment concern, it saves energy and reduce the consumption, saves the construction area and increases the freeness of designers, fully reflect the idea of environment friendly culture.

- The absence of machine room allows architects better design options.
- They save on construction time, material and other overhead costs.
- The combined design of machine room less is sync with hoist way layout ensures rationalized installation process and a significant increase in rentable building space.



Capacity – 6 to 13 Passenger.



# ELEVATOR MACHINES

All Machines are specially designed and manufactured for various application. They give speed and capacity with rigid & rugged reliability, smooth trouble free operation. By using standard worm and worm gears with taper roller bearings and thrust bearing in machine they gives maximum load carrying capacity.

The perfect lubrication system gives longer life and smooth operation. At installation time of machine, the machine are mounted on special type of rubbers which have extra ordinary dumping capacity. Due to this type of characteristic, the machine runs vibration free and run smoothly.



Above Traction Machine



Below Traction Machine



ETM 45 Machine



Vertical Traction Machine



Elevator Traction Machine



Greenstar Gearless Machine



Mini Gearless Machine



Over Speed Governor & Diverter Pulley



R. Cam

## COP & LOP

Car Operating Panel & Landing Operating Panel



Push Buttons



## INTEGRATED CONTROL PANEL



Automatic Rescue Device (ARD)



Control Panel With VVVF Drive



Standard Control Panel (Monarch Panel)

## VARIABLE Frequency AC Drive





# CABINS



Ceilings



## Office:

'Sindhoy Engineering Works',  
150 ft. Raiya Ring Road, Opp. Petrol Pump,  
Ramdevpir Chowk, Rajkot-360007.

**Contact Person :** Kishorbhai Kateshiya

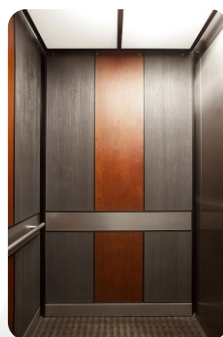
**Contact no:** + 91 99047 55768

 + 91 99137 12291

+ 91 94291 18598

**E-mail:** starshineelevators@gmail.com

**Web :** www.starshineelevators.com



Wooden with S.S. Cabin



M.S. Cabin



Glass with S.S. Cabin